

0CNP4-M39100EN

## Directions for the Parts Catalog.

1. This Parts Catalog shows both standard and optional parts.
2. Parts may change without prior notice.
3. The following is an example of the Parts Catalog format.

REF.	LEV.	PARTS NO.	DESCRIPTION	Q'TY						I	R
				(A)	(B)	(C)	(D)	(E)	(F)		
1	1	729595-51390	FUEL INJECTION PUMP	1	1	1	1	1			1
1-1	1	729595-51391	FUEL INJECTION PUMP	1	1	1	1	1		N	1
		(A=E00185) (B=E00200)									
3	2	26022-060162	SCREW M 6X 16	9	9	9	9	9			
3-1	2	26022-060162	SCREW M 6X 16	4	4	4	4	4		K	
		(A=E00156) (B=E00156) (C=E00156) (D=E00156) (E=E00156)									
4	2	129470-51040	CAMSHAFT	1	1	1	1	1			
5	2	122710-51050	BEARING, ROLLER	2	2	2	2	2			
6	2	129470-51060	RETAINER	1	1	1	1	1			

Remarks
(1) BOOST COMPEMSATOR TYPE. OPTIONAL PART, TO E00155,(4JH-DT, 4JH-DTZ

### ① Ref. No.

The Ref. No. listed may not be in accordance with the illustration Ref. No.

(Ex.) Illustration No.

List Ref No.

1

1

(Before change)

1-1

(After change)

For interchangeable symbols N, R and K, illustrations for new parts may be abbreviated.

### ② Lev. (Level)

Level indication

The numbers below indicate the level of relativity towards the main part.

1 ----- Main parts (Assembly parts)

2 ----- Sub component included in " 1 ".

3 ----- Sub component included in " 2 ".

Note) Parts that are not for sale are partially illustrated but not listed.

### ③ Interchangeability Symbol

When a part change takes place, one of the following interchangeability symbols is indicated beside the part.

Symbol	Interchangeability	Contents note
N	Old $\begin{matrix} \leftarrow \text{Yes} \\ \text{No} \rightarrow \end{matrix}$ New	New Part is interchangeable for Old Part but Old Part is not interchangeable for New Part.
Q	Old $\begin{matrix} \leftarrow \text{No} \\ \text{Yes} \rightarrow \end{matrix}$ New	New Part is not interchangeable for Old Part but Old Part is interchangeable for New Part.
R	Old $\begin{matrix} \leftarrow \text{Yes} \\ \text{Yes} \rightarrow \end{matrix}$ New	New/ Old Parts are both interchangeable.
S	Old $\begin{matrix} \leftarrow \text{No} \\ \text{No} \rightarrow \end{matrix}$ New	New/ Old Parts are both not interchangeable.
W		Part newly added.
Z		Part discontinued.
F		Not interchangeable by a single part but interchangeable together with related parts.
K		Changes only for used parts quantities.

### ④ Effective Machine No.

When a part changes, the effective Machine No. will be indicated in the (A)-(F) column.

Product Symbol	Product No.	Product Symbol	Product No.
C	Clutch No. Compressor No.	F	Machine No. (Agricultural Equip.)
D	Drive No.	M	Machine No.
E	Engine No.		

Note 1) A date may follow the symbol. (Ex.) 1996.01

Note 2) "XXXXX" and "ZZZZZ" are for parts that could not be predicted or for engine models that could not be identified.

Note 3) (A=E00185) is the E (Engine Serial Number) for the column (A) model (in this case 4JH-DT) after the parts design change.

### ⑤ Remarks

Figures or alphabets (symbols) are entered in the remarks column.

The comments (remarks) on parts that are indicated at the bottom of the illustration are the same symbols as those stated above.

PAINTING COLOR ( Main body : TE30DX-PQ )

SECTION	PAINTING COLOR	COLOR SPLAY											MAIN PARTS	COLOR CODE (FIGURE)	
		T	0	R	-	9	0	2	5	0	0	0			2
Main body	YANMAR White	T	0	R	-	9	0	2	5	0	0	0	2	Handle CMP	14
Main body	YANMAR Black	T	0	R	-	9	0	2	2	0	0	0	3	Shaft CMP, Rotor	12
Main body	YANMAR Gray	T	0	R	-	9	0	3	6	0	0	0	3	Frame CMP,engine	20

Please surely use YANMAR Genuine color splay any YANMAR agricultural machines.

Given painting color may be altered for improvement,etc. without prior notice.

# Contents

Fig. No.    Fig. Name

## PULLEY & TENSION SEC

1. ENGINE MOUNTING
2. ENGINE PULLEY & MAIN PULLEY
3. TENSION CLUTCH

## TRANSMISSION UNIT

4. TRANSMISSION CASE
5. MAIN SHAFT
6. COUNTER SHAFT
7. SPEED REDUCTION
8. AXLE
9. CHANGE

## WHEEL SECTION

10. FENDER
11. AXLE ROTOR

## HANDLE SECTION

12. HANDLE COLUMN
13. HANDLE
14. HANDLE COVER
15. CONTROL LEVER

## ENGINE FRAME SECTION

16. ENGINE FRAME

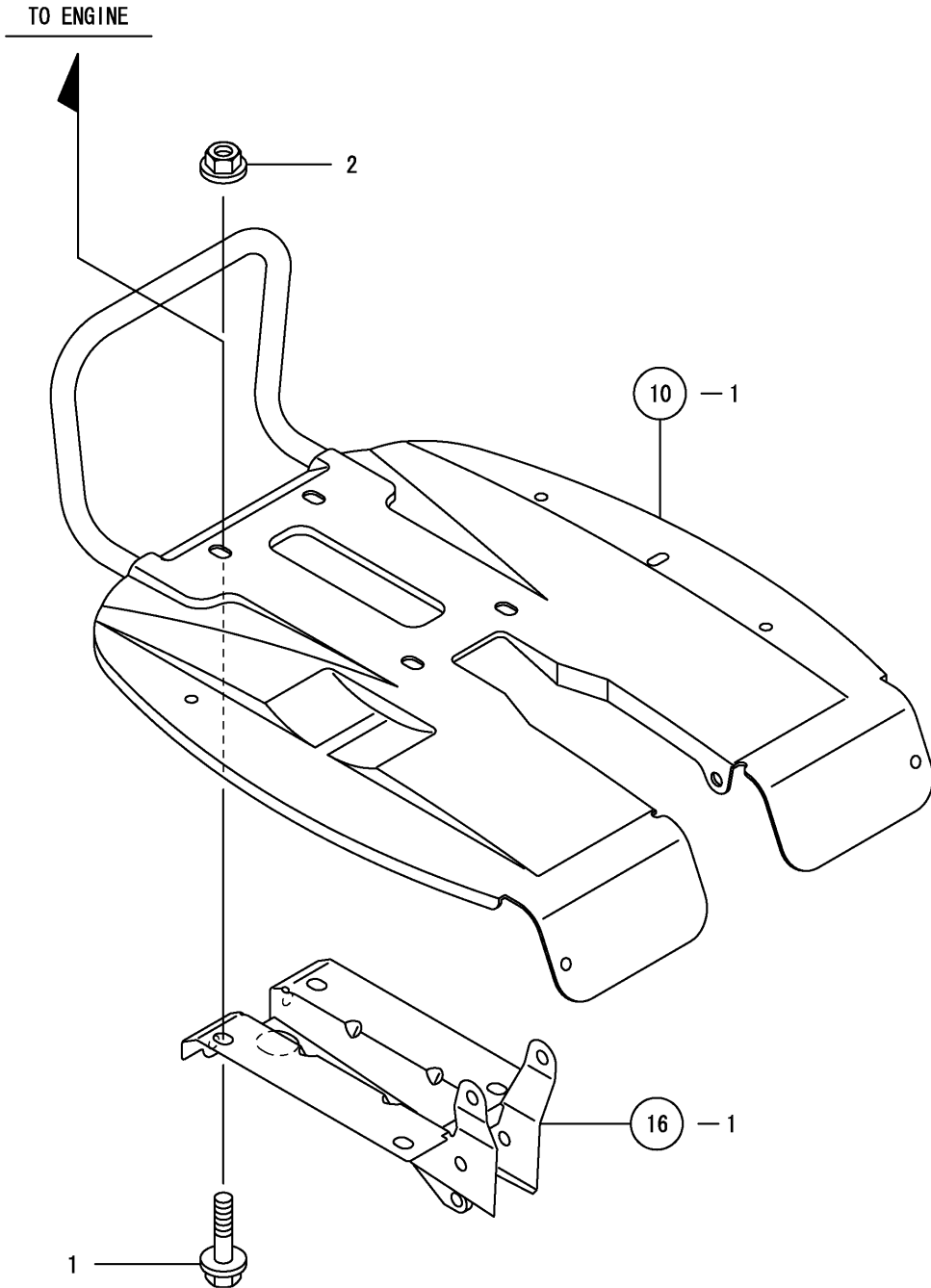
Fig. No.    Fig. Name

17. HITCH
18. BELT COVER
19. BONNET
20. SKID

## LABELS & ACCESSORIES

21. ELECTRICAL PARTS
22. LABELS
23. TOOLS & ACCESSORIES

Fig.1. ENGINE MOUNTING

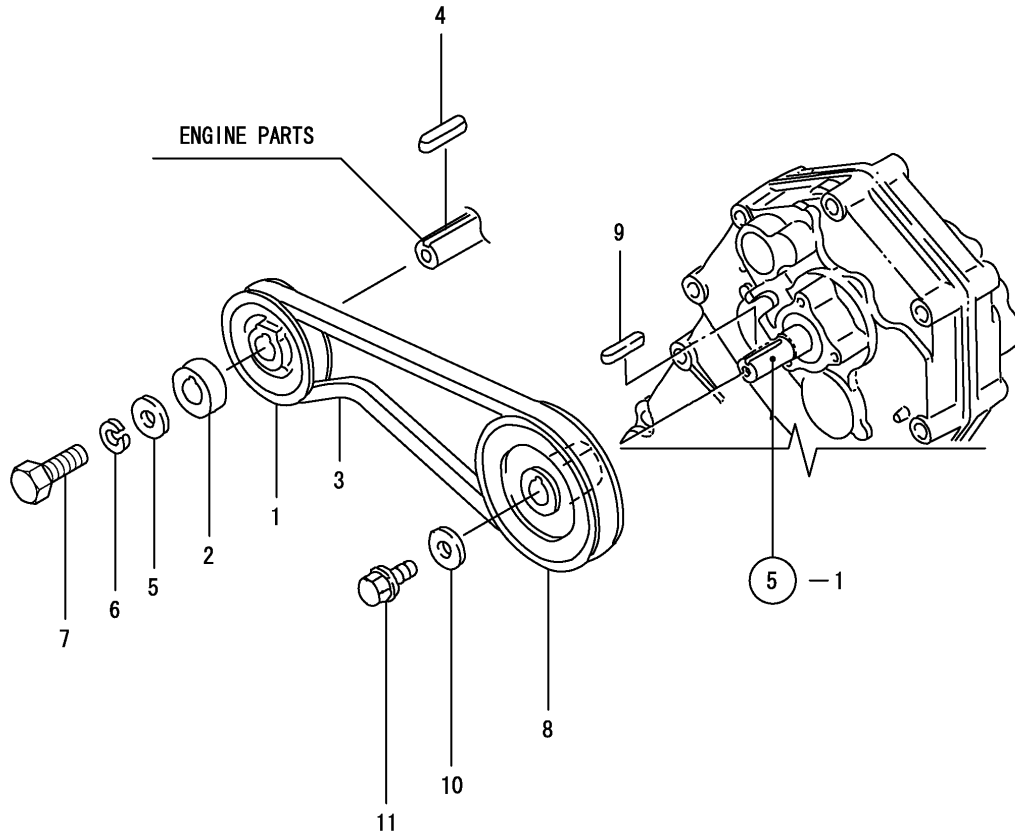


(A)=TE30DX  
(B)=  
(C)=

(D)=  
(E)=  
(F)=

No.	Lev.	Parts No.	Description	Q'ty						I	R
				(A)	(B)	(C)	(D)	(E)	(F)		
1	1	26107-080352	BOLT, 8 X 35	4							
2	1	26367-080002	NUT, M8	4							

Fig.2. ENGINE PULLEY & MAIN PULLEY

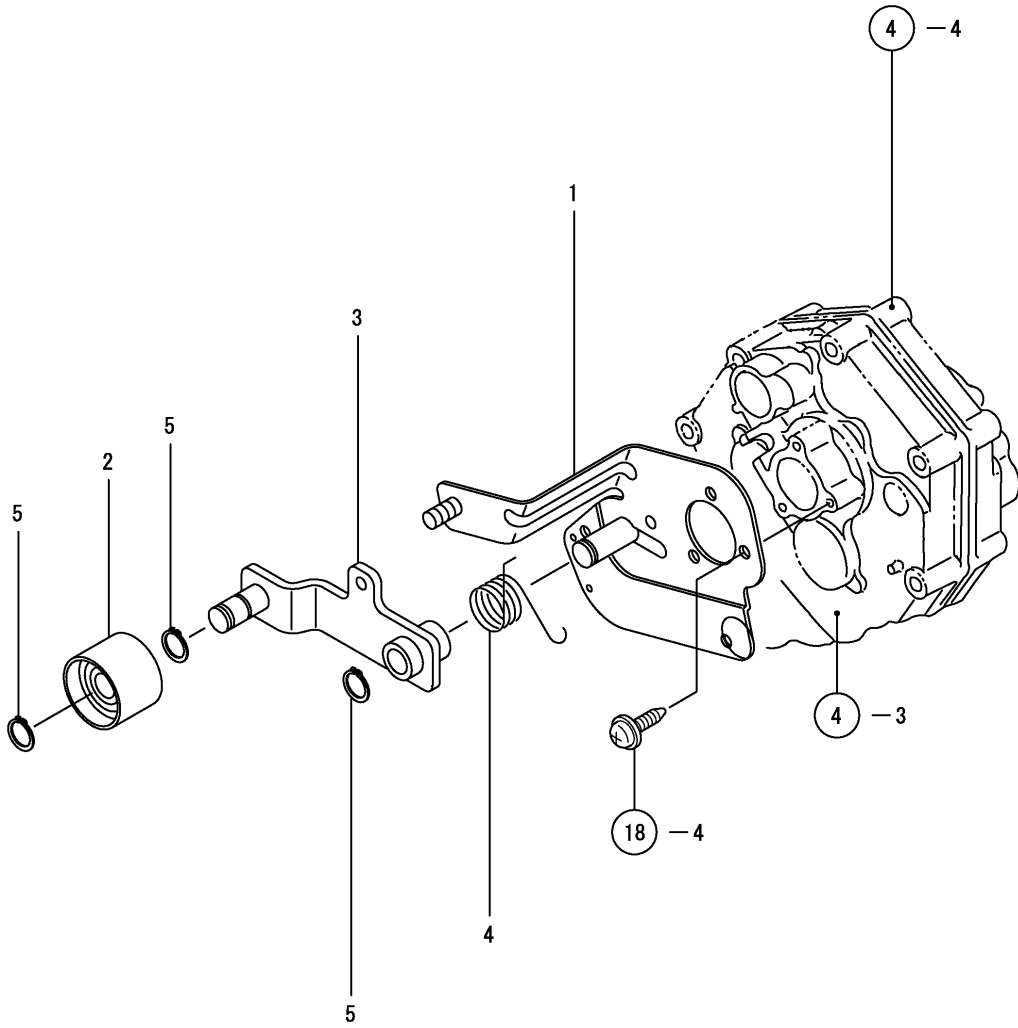


(A)=TE30DX  
(B)=  
(C)=

(D)=  
(E)=  
(F)=

No.	Lev.	Parts No.	Description	Qty						I	R
				(A)	(B)	(C)	(D)	(E)	(F)		
1	1	1A2190-12100	V PULLEY	1							
2	1	1A2190-12110	COLLAR,PULLEY	1							
3	1	1A2190-12151	V-BELT REC SA25	1							
4	1	1D1630-51050	KEY 4X25	1							
5	1	22157-060000	WASHER, 6	1							
6	1	22217-060000	WASHER, SPRING 6	1							
7	1	26117-060162	BOLT, 6 X 16	1							
8	1	1A2190-13300	V-PULLEY 90A	1							
9	1	1D1630-51050	KEY 4X25	1							
10	1	22157-060000	WASHER, 6	1							
11	1	26107-060122	BOLT M 6X 12 PLATED	1							

Fig.3. TENSION CLUTCH

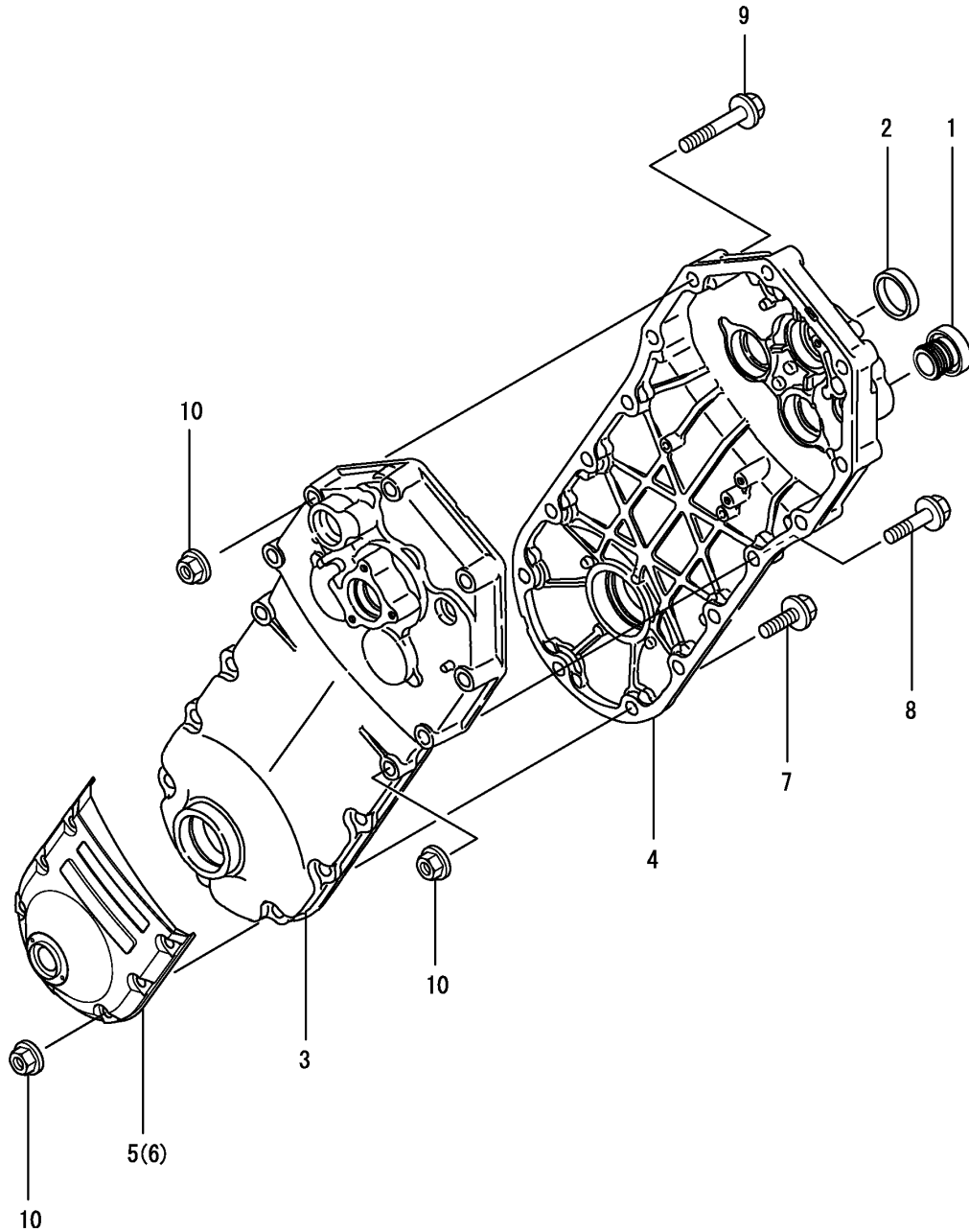


(A)=TE30DX  
(B)=  
(C)=

(D)=  
(E)=  
(F)=

No.	Lev.	Parts No.	Description	Q'ty						I	R
				(A)	(B)	(C)	(D)	(E)	(F)		
1	1	1A2490-13000	BASE ASSY, TENSION	1							
2	1	1A2320-13100	ROLLER COMP.,TENSION	1							
3	1	1A2490-13100	ARM COMPL,TENSION	1							
4	1	1A2490-13400	SPRING,TENS'N RETURN	1							
5	1	22242-000120	RING, 12	3							

Fig.4. TRANSMISSION CASE



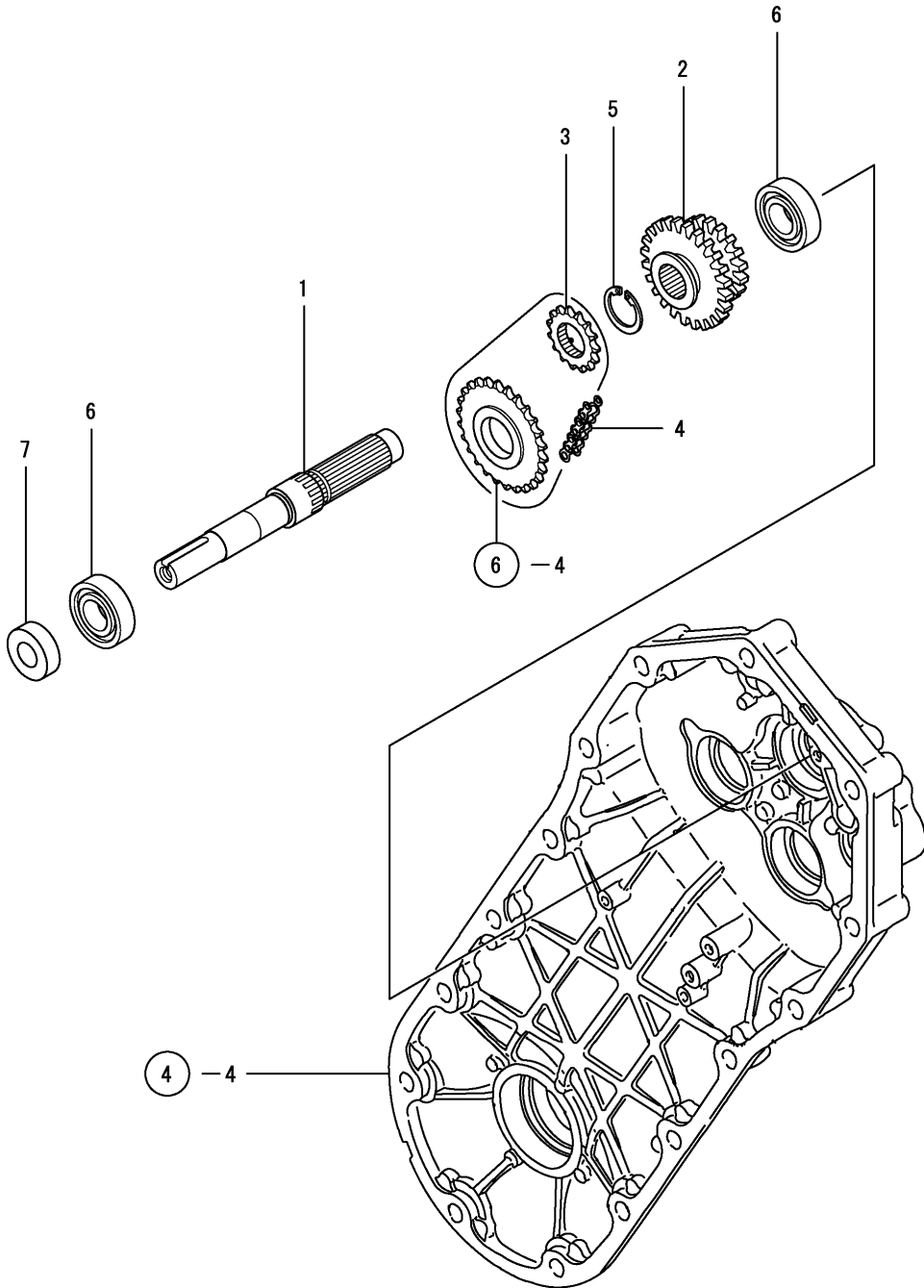
(A)=TE30DX  
(B)=  
(C)=

(D)=  
(E)=  
(F)=

No.	Lev.	Parts No.	Description	Q'ty						I	R
				(A)	(B)	(C)	(D)	(E)	(F)		
1	1	1A1470-20090	CAP 35,OIL FILLER	1							
2	1	1A1750-20410	CAP 30X5,SEAL	1							
3	1	1A2190-21020	CASE, MISSION	1							
4	1	1A2190-21030	CASE R COMP.,TRANSM.	1							
5	1	1A2490-21300	COVER L CMP.,PROTEC.	1							
6	1	1A2490-21350	COVER R CMP.,PROTEC.	1							
7	1	26107-080252	BOLT, 8 X 25							6	
8	1	26107-080452	BOLT, 8 X 45							1	
9	1	26107-080652	BOLT, M8X 65 PLATED							1	
10	1	26367-080002	NUT, M8							8	



Fig.5. MAIN SHAFT

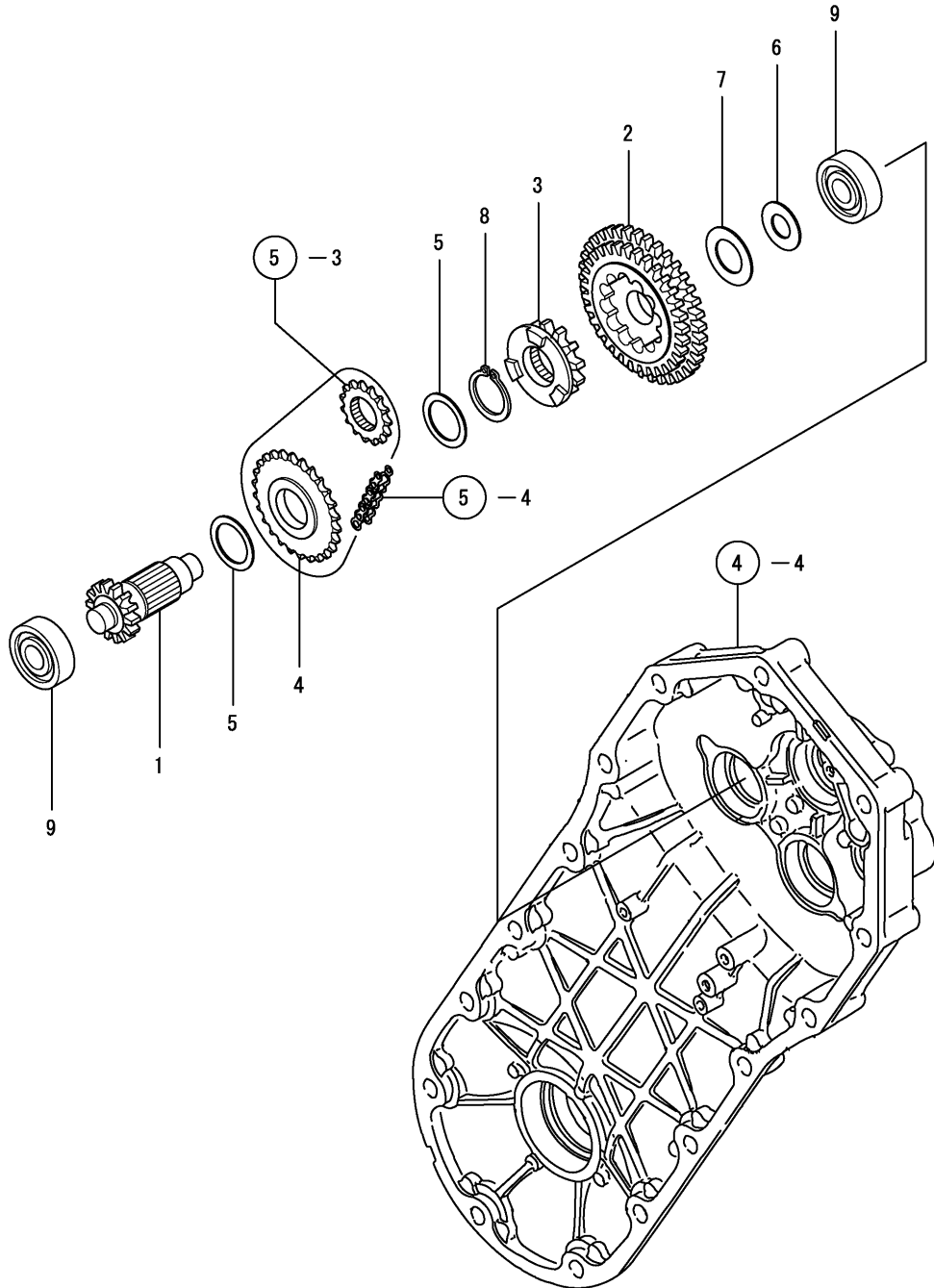


(A)=TE30DX  
(B)=  
(C)=

(D)=  
(E)=  
(F)=

No.	Lev.	Parts No.	Description	Qty						I	R
				(A)	(B)	(C)	(D)	(E)	(F)		
1	1	1A2190-23020	SHAFT,MAIN	1							
2	1	1A2190-23030	GEAR 18X24	1							
3	1	1A2190-23040	SPROCKET 14	1							
4	1	1A2190-23050	CHAIN 6.35X38,ROLLER	1							
5	1	22292-000170	RING, S-17	1							
6	1	24101-060024	BEARING, BALL 6002	2							
7	1	24421-152507	SEAL, OIL TC152507	1							

Fig.6. COUNTER SHAFT

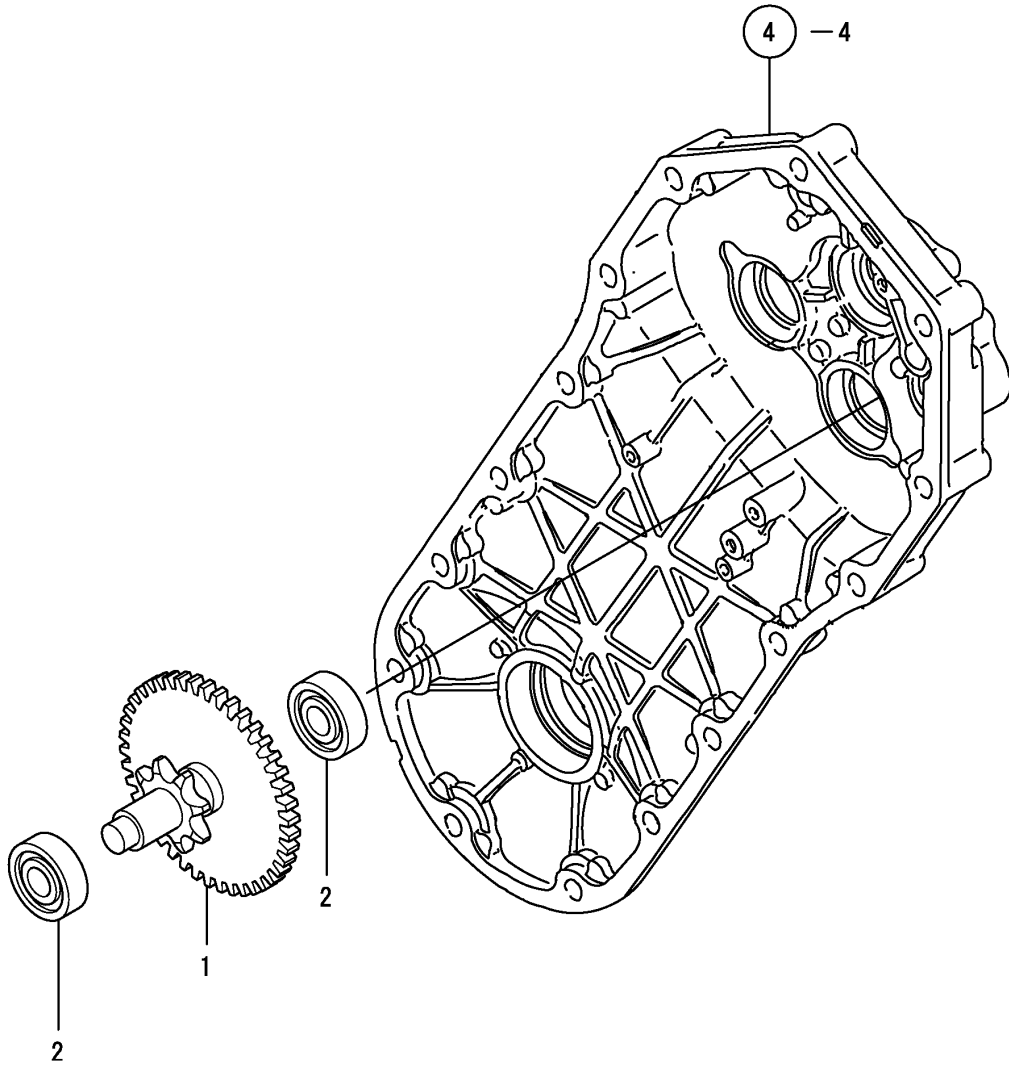


(A)=TE30DX  
(B)=  
(C)=

(D)=  
(E)=  
(F)=

No.	Lev.	Parts No.	Description	Q'ty						I	R
				(A)	(B)	(C)	(D)	(E)	(F)		
1	1	1A2190-23100	SHAFT,COUNTER	1							
2	1	1A2190-23110	GEAR 31X37 COMPL.	1							
3	1	1A2190-23141	CLUTCH, DOG TINE	1							
4	1	1A2190-23150	SPROCKET 26	1							
5	1	1A2190-23160	LINER 20.2X27X1	2							
6	1	1A1735-23240	SPACER 12X24X1.0	1							
7	1	1A2015-23550	LINER 17X29X1	1							
8	1	22242-000200	RING, 20	1							
9	1	24101-062014	BEARING, BALL 6201	2							

Fig.7. SPEED REDUCTION

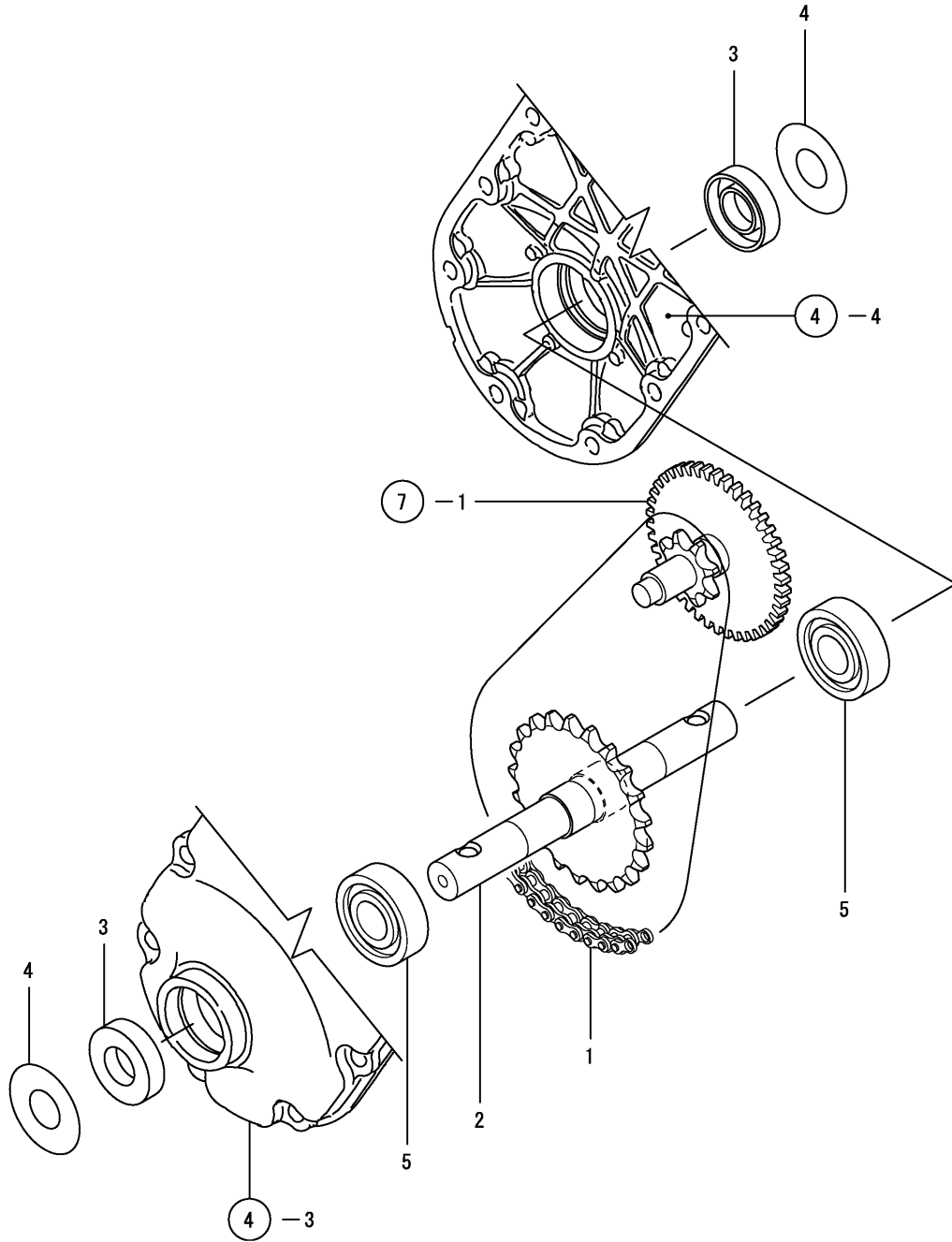


(A)=TE30DX  
(B)=  
(C)=

(D)=  
(E)=  
(F)=

No.	Lev.	Parts No.	Description	Q'ty						I	R
				(A)	(B)	(C)	(D)	(E)	(F)		
1	1	1A2190-23350	SHAFT QB COMP.,FINAL	1							
2	1	24101-062014	BEARING, BALL 6201	2							

Fig.8. AXLE

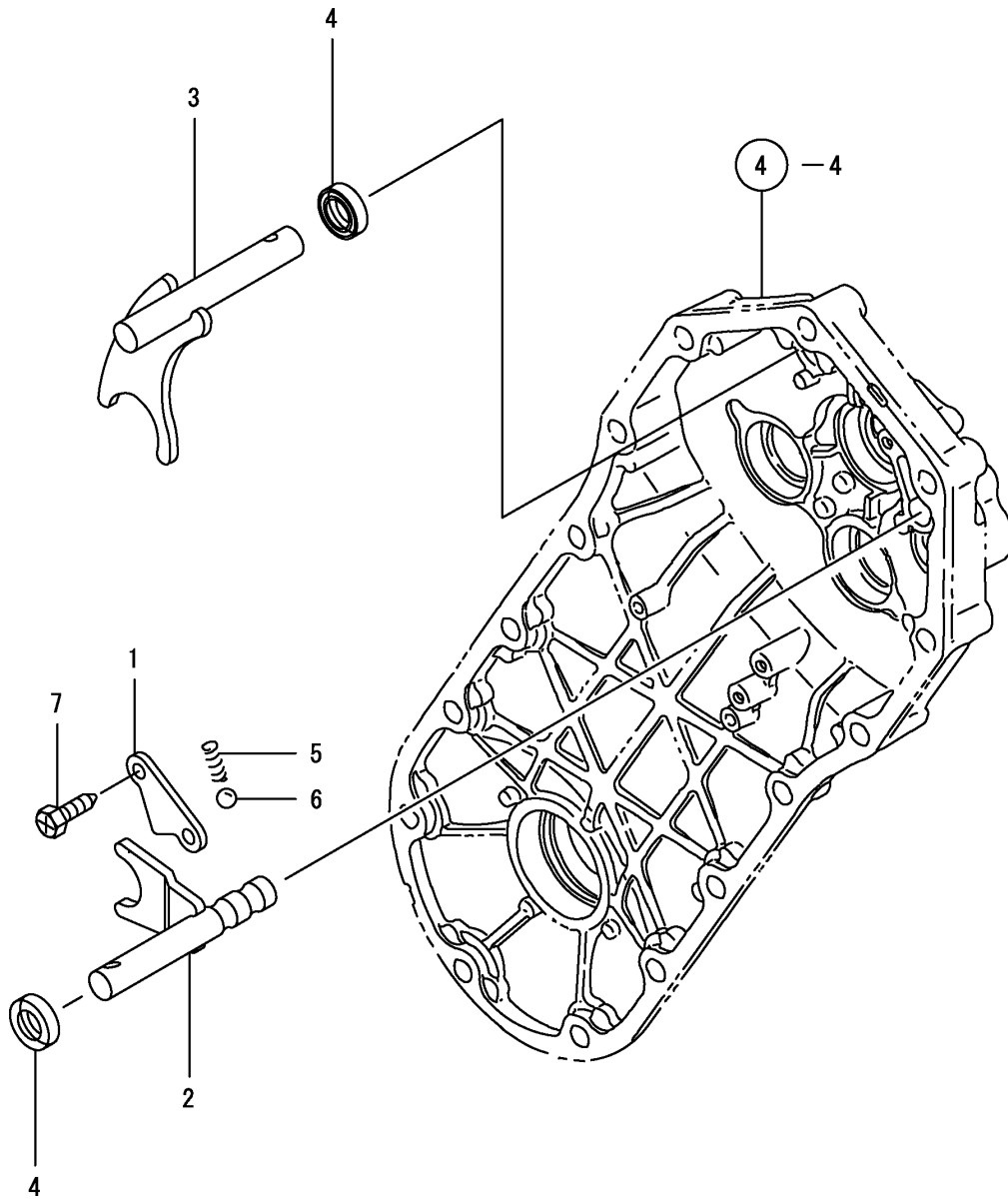


(A)=TE30DX  
(B)=  
(C)=

(D)=  
(E)=  
(F)=

No.	Lev.	Parts No.	Description	Q'ty						I	R
				(A)	(B)	(C)	(D)	(E)	(F)		
1	1	1A1750-20180	CHAIN 12.7X56,ROLLER	1							
2	1	1A2190-24000	AXLE COMPL	1							
3	1	1A1540-28251	SEAL,OIL 20X40X10	2							
4	1	1A2320-42060	WASHER	2							
5	1	24101-062044	BEARING, BALL 6204	2							

Fig.9. CHANGE

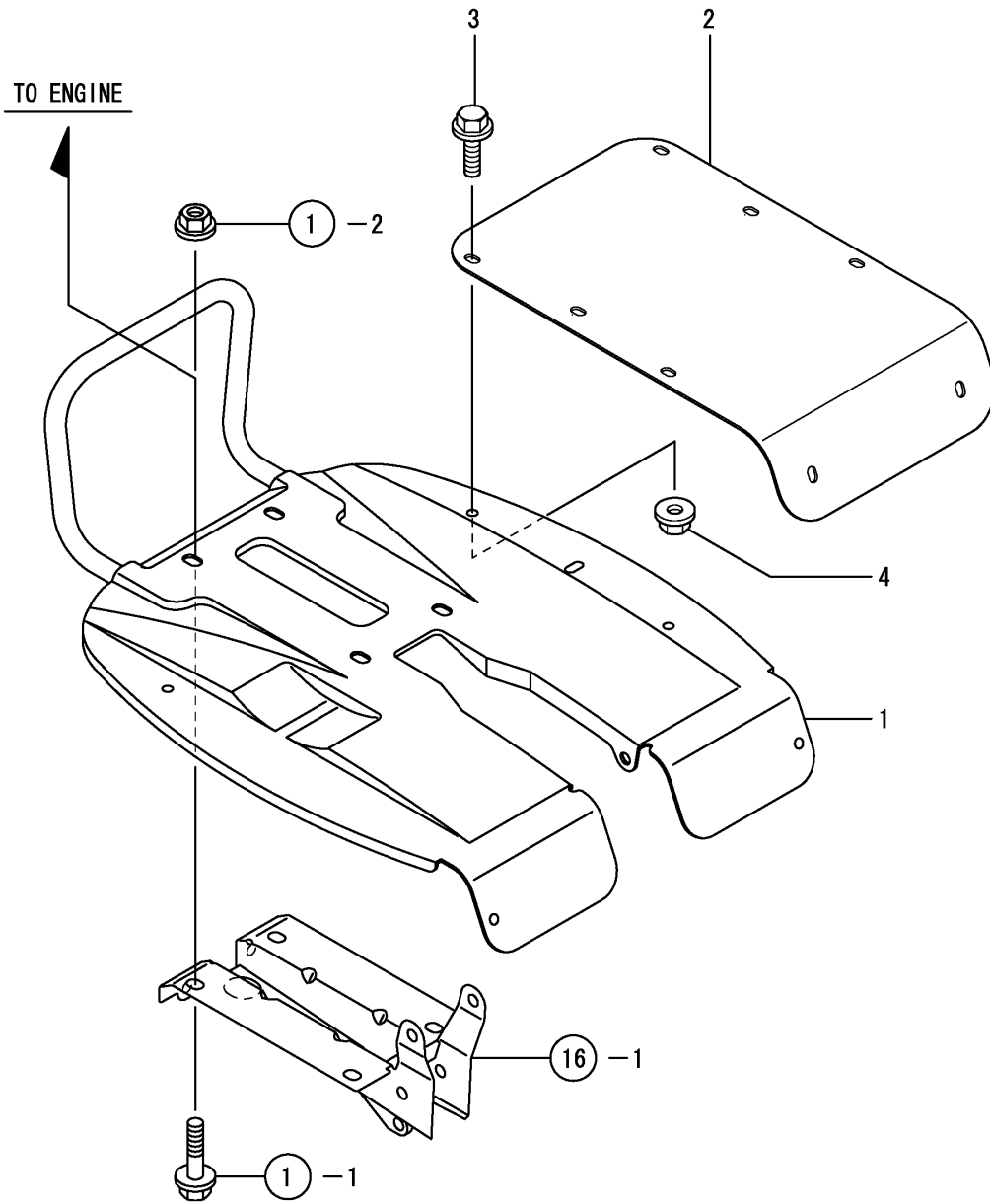


(A)=TE30DX  
(B)=  
(C)=

(D)=  
(E)=  
(F)=

No.	Lev.	Parts No.	Description	Q'ty						I	R
				(A)	(B)	(C)	(D)	(E)	(F)		
1	1	1A1750-21350	KEEP PLATE,BALL	1							
2	1	1A2199-27000	FORK.CHANGE CMP	1							
3	1	1A2190-27101	FORK QB CMP.,CLUTCH	1							
4	1	1A1104-28230	OIL SEAL 12184	2							
5	1	1E6150-56040	SPRING, FORK	1							
6	1	24190-100001	BALL, STEEL 5/16	1							
7	1	26476-060142	SCREW, TAPPING M6X14	2							

Fig.10. FENDER

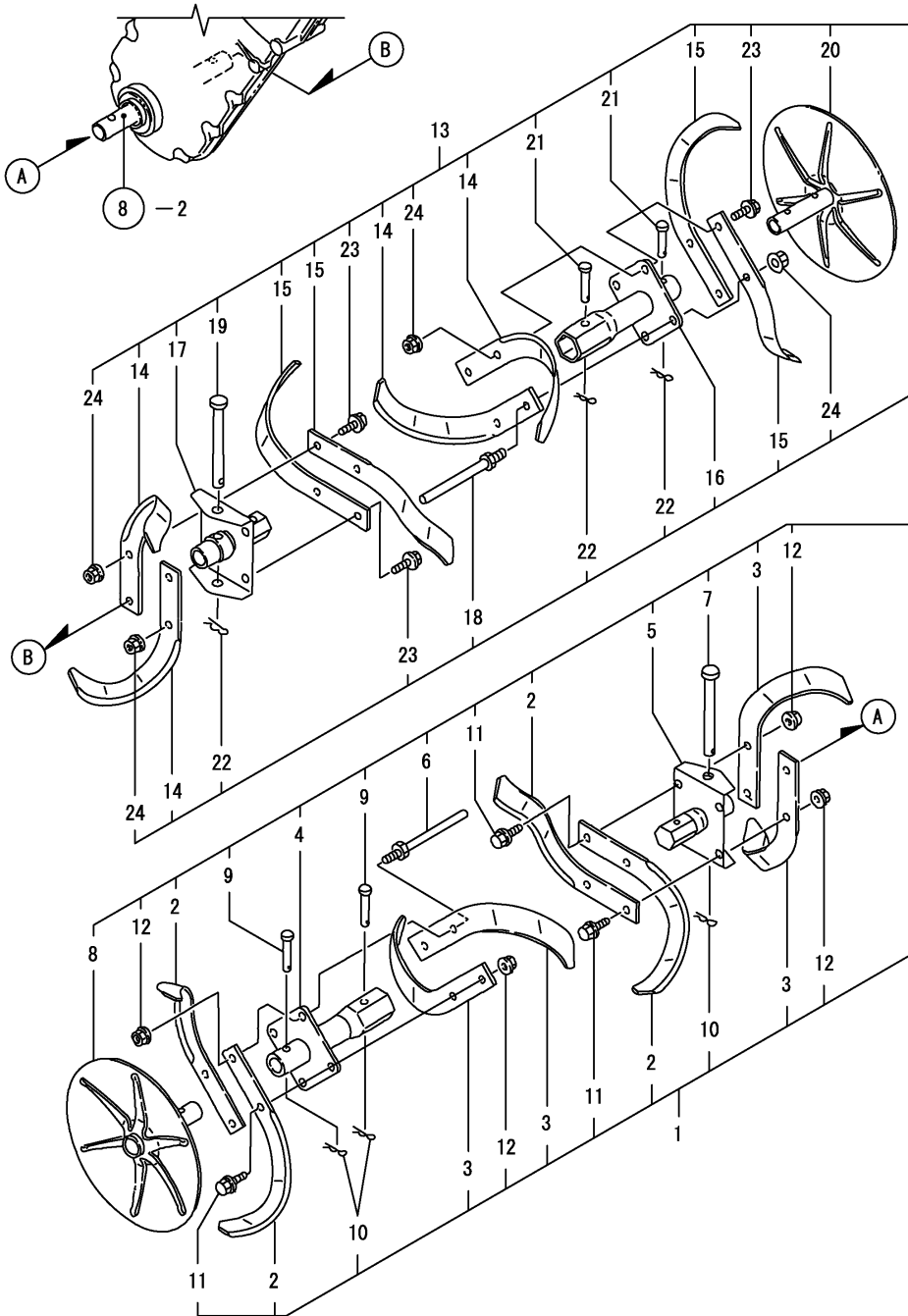


(A)=TE30DX  
(B)=  
(C)=

(D)=  
(E)=  
(F)=

No.	Lev.	Parts No.	Description	Q'ty						I	R
				(A)	(B)	(C)	(D)	(E)	(F)		
1	1	1A2550-32000	FENDER CMP	1							
2	1	1A2550-32100	FENDER,EXTENSION	2							
3	1	26107-060102	BOLT, 6 X 10	8							
4	1	26367-060002	NUT, M6	8							

Fig.11. AXLE ROTOR

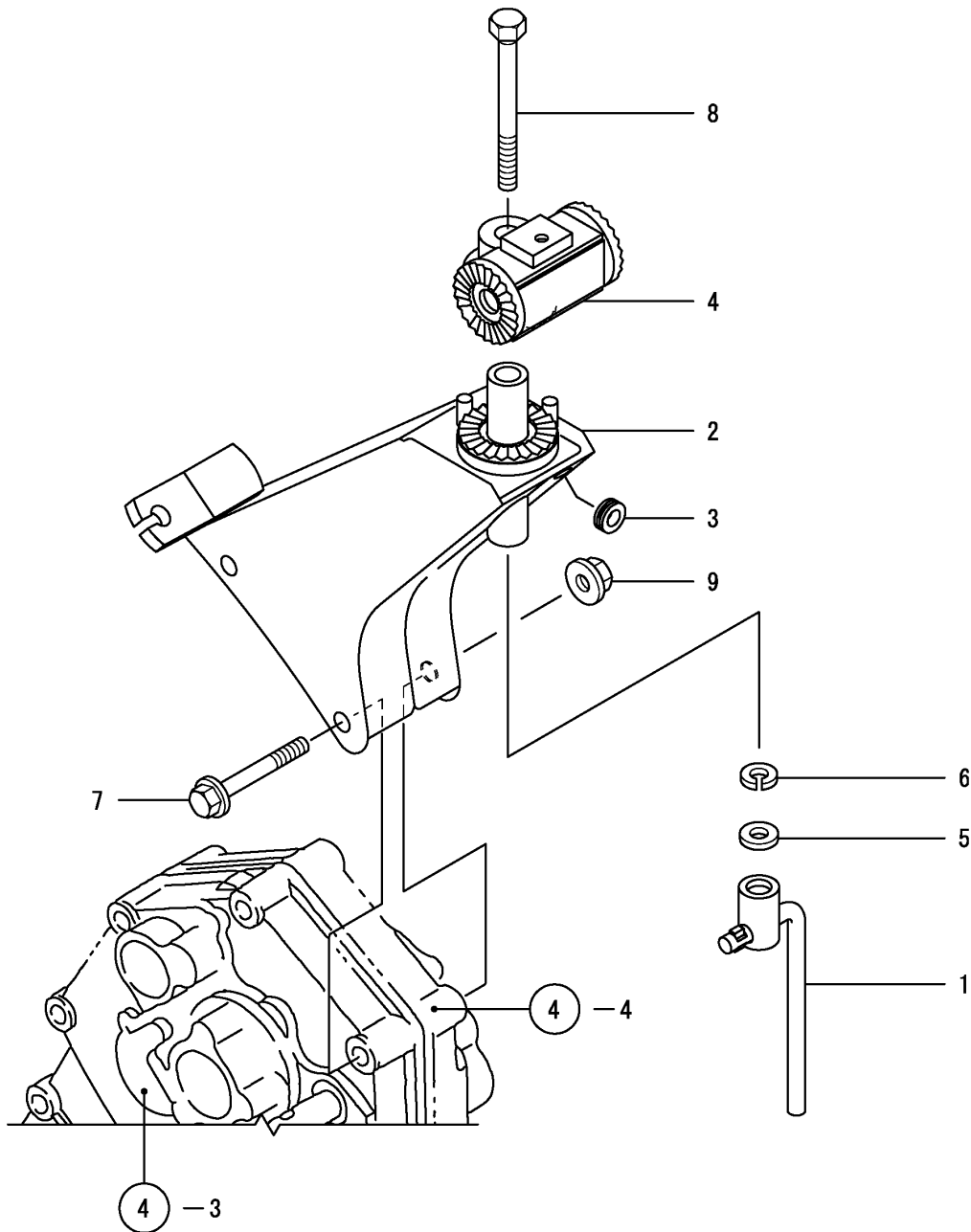


(A)=TE30DX  
(B)=  
(C)=

(D)=  
(E)=  
(F)=

No.	Lev.	Parts No.	Description	Q'ty						I	R
				(A)	(B)	(C)	(D)	(E)	(F)		
1	1	1A2190-35001	ROTOR L COMPL.	1							
2	2	1S0010-17150	TINE L,SPADING	4							
3	2	1S0010-17250	TINE R,SPADING	4							
4	2	1A1760-30200	SHAFT COMPL.,EXTENS.	1							
5	2	1A2190-35101	SHAFT COMPL.,ROTOR	1							
6	2	1A2190-35150	ROD C,IDLE ROTATING	2							
7	2	1A2190-35200	PIN 8X100,FLAT HEAD	1							
8	2	1A2190-35300	DISC COMP., CLUTCH	1							
9	2	1A1540-46010	PIN 8X35,FLAT HEAD	2							
10	2	1A1540-46020	PIN 8,SNAP	3							
11	2	26107-080202	BOLT, 8 X 20	6							
12	2	26367-080002	NUT, M8	8							
13	1	1A2190-35051	ROTOR R COMPL.	1							
14	2	1S0010-17150	TINE L,SPADING	4							
15	2	1S0010-17250	TINE R,SPADING	4							
16	2	1A1760-30200	SHAFT COMPL.,EXTENS.	1							
17	2	1A2190-35101	SHAFT COMPL.,ROTOR	1							
18	2	1A2190-35150	ROD C,IDLE ROTATING	2							
19	2	1A2190-35200	PIN 8X100,FLAT HEAD	1							
20	2	1A2190-35300	DISC COMP., CLUTCH	1							
21	2	1A1540-46010	PIN 8X35,FLAT HEAD	2							
22	2	1A1540-46020	PIN 8,SNAP	3							
23	2	26107-080202	BOLT, 8 X 20	6							
24	2	26367-080002	NUT, M8	8							

Fig.12. HANDLE COLUMN



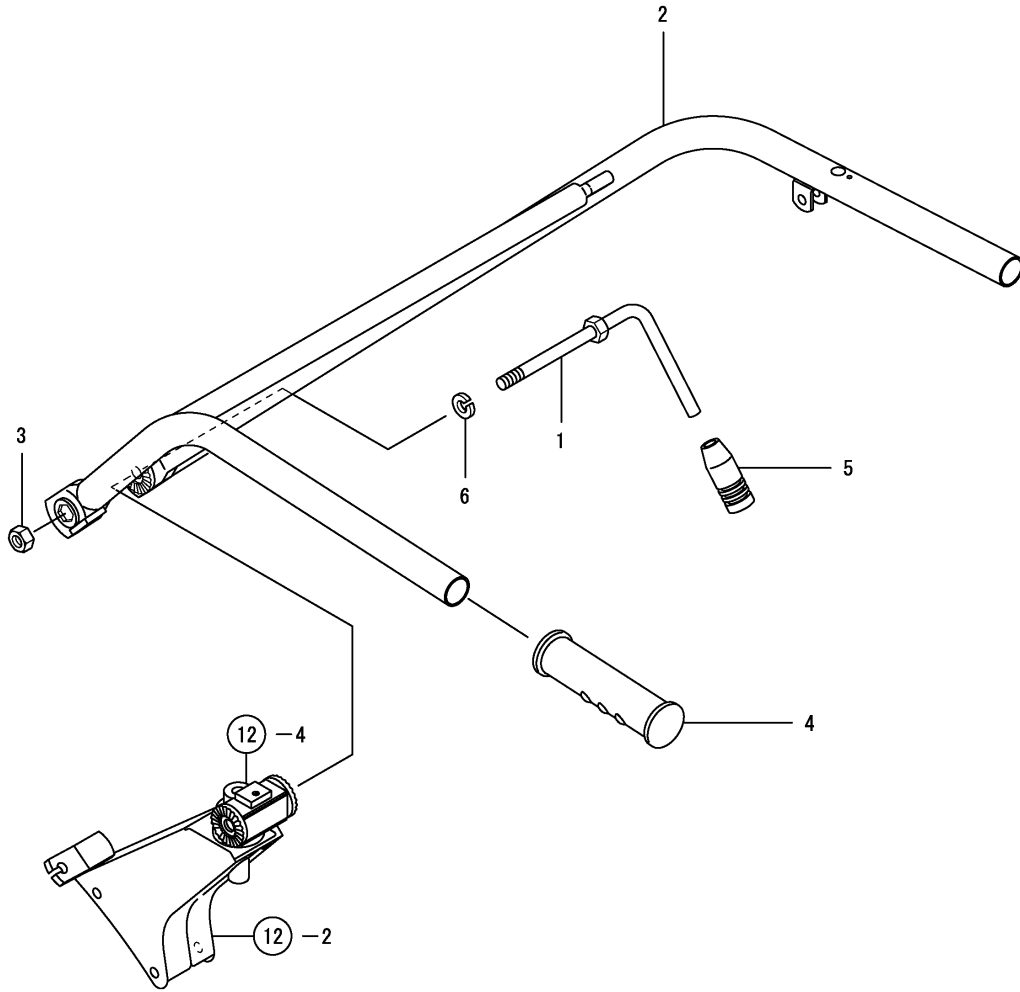
(A)=TE30DX  
(B)=  
(C)=

(D)=  
(E)=  
(F)=

No.	Lev.	Parts No.	Description	Q'ty						I	R
				(A)	(B)	(C)	(D)	(E)	(F)		
1	1	1A1750-41200	LEVER	1							
2	1	1A2490-51200	FRAME COMP., HANDLE	1							
3	1	1A2490-51250	GROMMET	1							
4	1	1A2490-51300	STAY	1							
5	1	22117-100000	WASHER, 10	1							
6	1	22217-100000	WASHER, SPRING 10	1							
7	1	26107-080602	BOLT, 8 X 60	2							
8	1	26157-101002	BOLT, M10X100 PLATED	1							
9	1	26367-080002	NUT, M8	2							



Fig.13. HANDLE



(A)=TE30DX  
(B)=  
(C)=

(D)=  
(E)=  
(F)=

No.	Lev.	Parts No.	Description	Q'ty						I	R
				(A)	(B)	(C)	(D)	(E)	(F)		
1	1	1A2490-51800	LEVER, LOCK	1							
2	1	1A2552-51800	HANDLE ASSY	1							
3	1	1A2490-51850	NUT,M10	1							
4	1	192040-56220	GRIP,HANDLE	2							
5	1	1E6570-65750	GRIP, LEVER OPERAT.	1							
6	1	22287-100000	WASHER, 10	1							

# Fig.14. HANDLE COVER

(A)=TE30DX

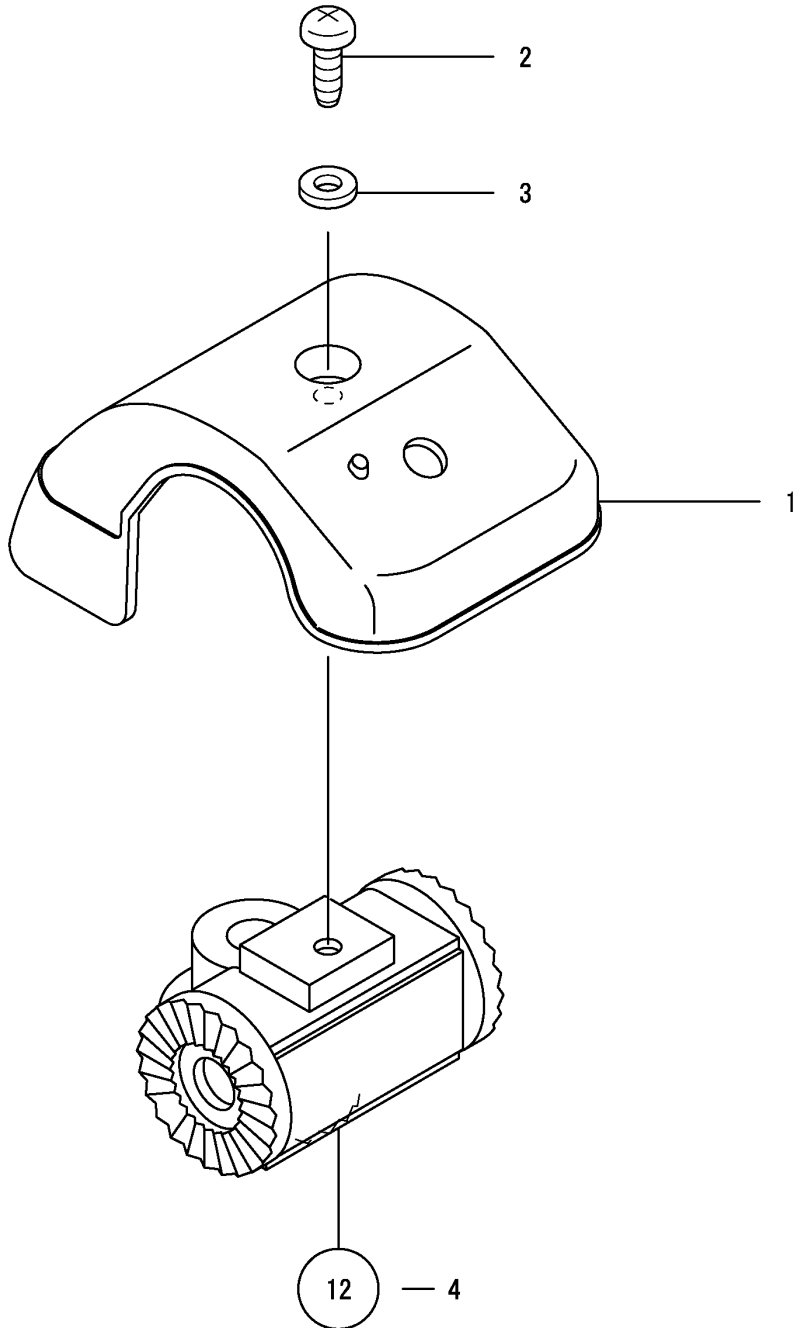
(B)=

(C)=

(D)=

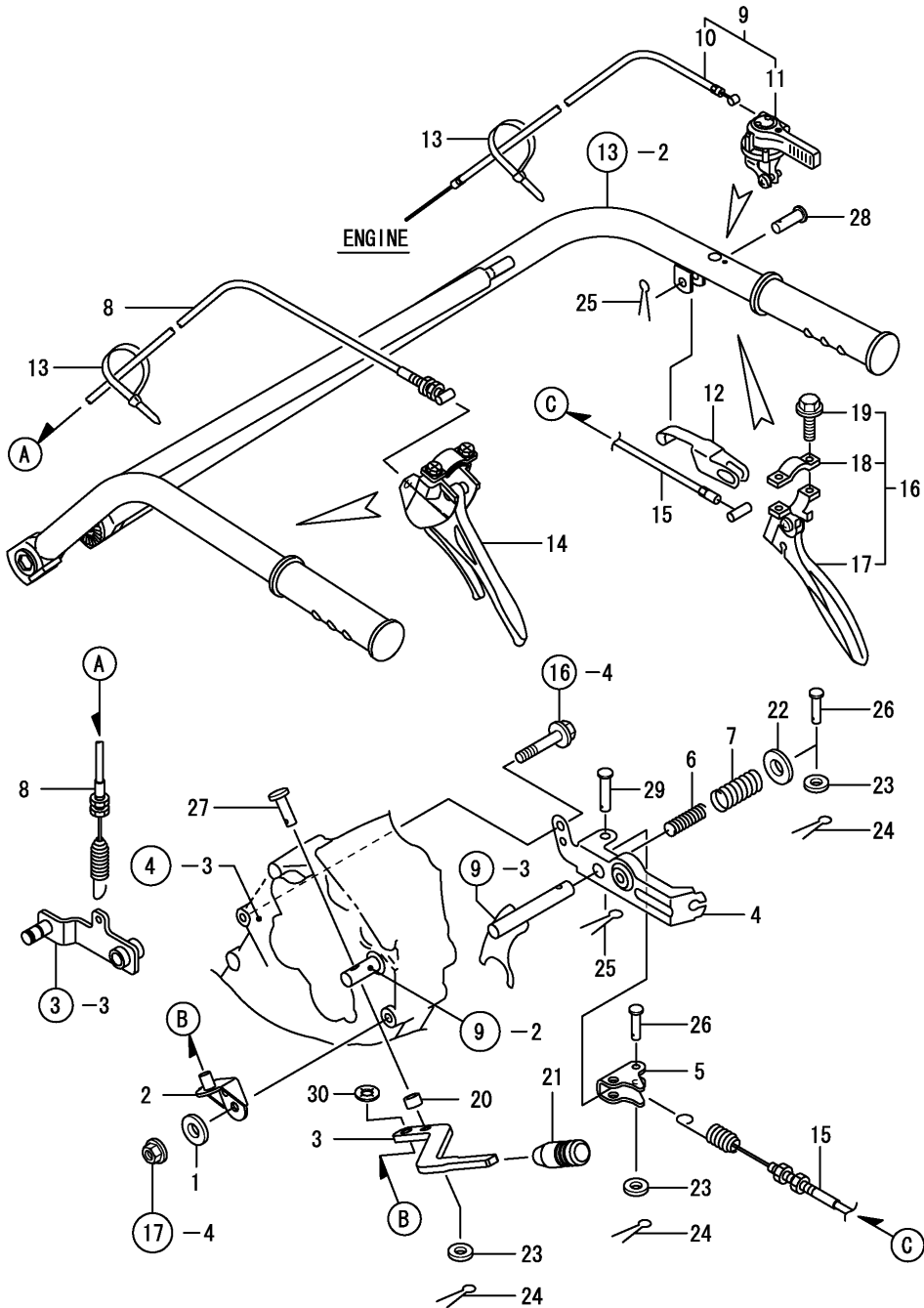
(E)=

(F)=



No.	Lev.	Parts No.	Description	Q'ty						I	R
				(A)	(B)	(C)	(D)	(E)	(F)		
1	1	1A2490-51400	COVER,HANDLE FRAME	1							
2	1	1A1750-90060	SCREW 5X16,TAPPING	1							
3	1	1A1750-90150	WASHER 5,PLAIN	1							

Fig.15. CONTROL LEVER

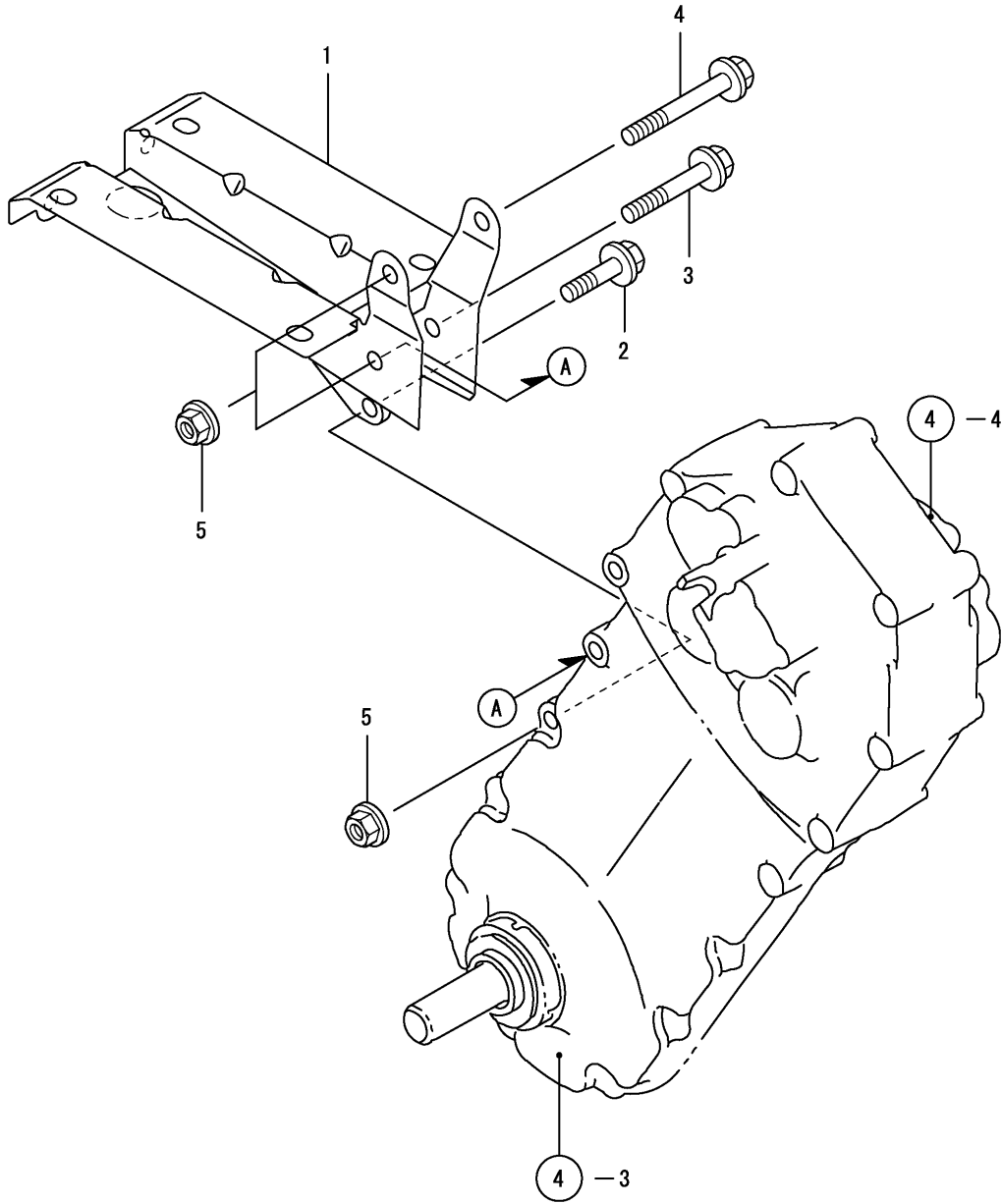


(A)=TE30DX  
(B)=  
(C)=

(D)=  
(E)=  
(F)=

No.	Lev.	Parts No.	Description	Q'ty						I	R
				(A)	(B)	(C)	(D)	(E)	(F)		
1	1	1D1140-11420	WASHER,PULLEY	1							
2	1	1A1750-51150	FULCRUM COMP.,CHANGE	1							
3	1	1A2550-55101	LEVER,CHANGE	1							
4	1	1A2190-55400	BRACKET,WIRE	1							
5	1	1A2190-55421	LEVER QB	1							
6	1	1A2190-55460	SPRING 13X38	1							
7	1	1A2190-55471	SPRING, 16X35	1							
8	1	1A2550-55520	WIRE CMP,MAIN CLUTCH	1							
9	1	1A2552-55580	LEVER,ACCELERATOR	1							
10	2	1A2550-55560	WIRE,ACCELERATOR	1							
11	2	1A2552-55590	LEVER,ACCELERATOR	1							
12	1	1A2190-55600	STAY PUSH-UP	1							
13	1	1A2320-55600	BAND, CABLE	2							
14	1	1A2132-55610	LEVER E,CLUTCH	1							
15	1	1A2552-55650	WIRE ASY	1							
16	1	1A2552-55860	LEVER ASSY, CLUTCH	1							
17	2	1A2190-55870	LEVER, BODY CLUTCH	1							
18	2	1A2552-55880	BAND	1							
19	2	1A2222-55930	BOLT 6X25	2							
20	1	1S6230-61670	COLLAR, CLUTCH	1							
21	1	1E6570-65750	GRIP, LEVER OPERAT.	1							
22	1	22117-120000	WASHER, 12	1							
23	1	22137-060000	WASHER, 6	3							
24	1	22417-160120	PIN, COTTER 1.6X12	3							
25	1	22417-200120	PIN, 2.0 X 12	2							
26	1	22487-060240	PIN, H 6X 24	2							
27	1	22487-060260	PIN, H 6X 26	1							
28	1	22487-080200	PIN, H 8X 20	1							
29	1	22487-080300	PIN, H 8X 30	1							
30	1	26892-001000	NUT, 10	1							

Fig.16. ENGINE FRAME



No.	Lev.	Parts No.	Description	Qty						I	R
				(A)	(B)	(C)	(D)	(E)	(F)		
1	1	1A2190-61100	FRAME COMP.,ENGINE	1							
2	1	26107-080302	BOLT, 8 X 30	1							
3	1	26107-080502	BOLT, 8 X 50	1							
4	1	26107-080702	BOLT, 8 X 70	1							
5	1	26367-080002	NUT, M8	3							

---

---

---

---

---

---

---

---

---

---

---

---

---

---

---

---

---

---

---

---

---

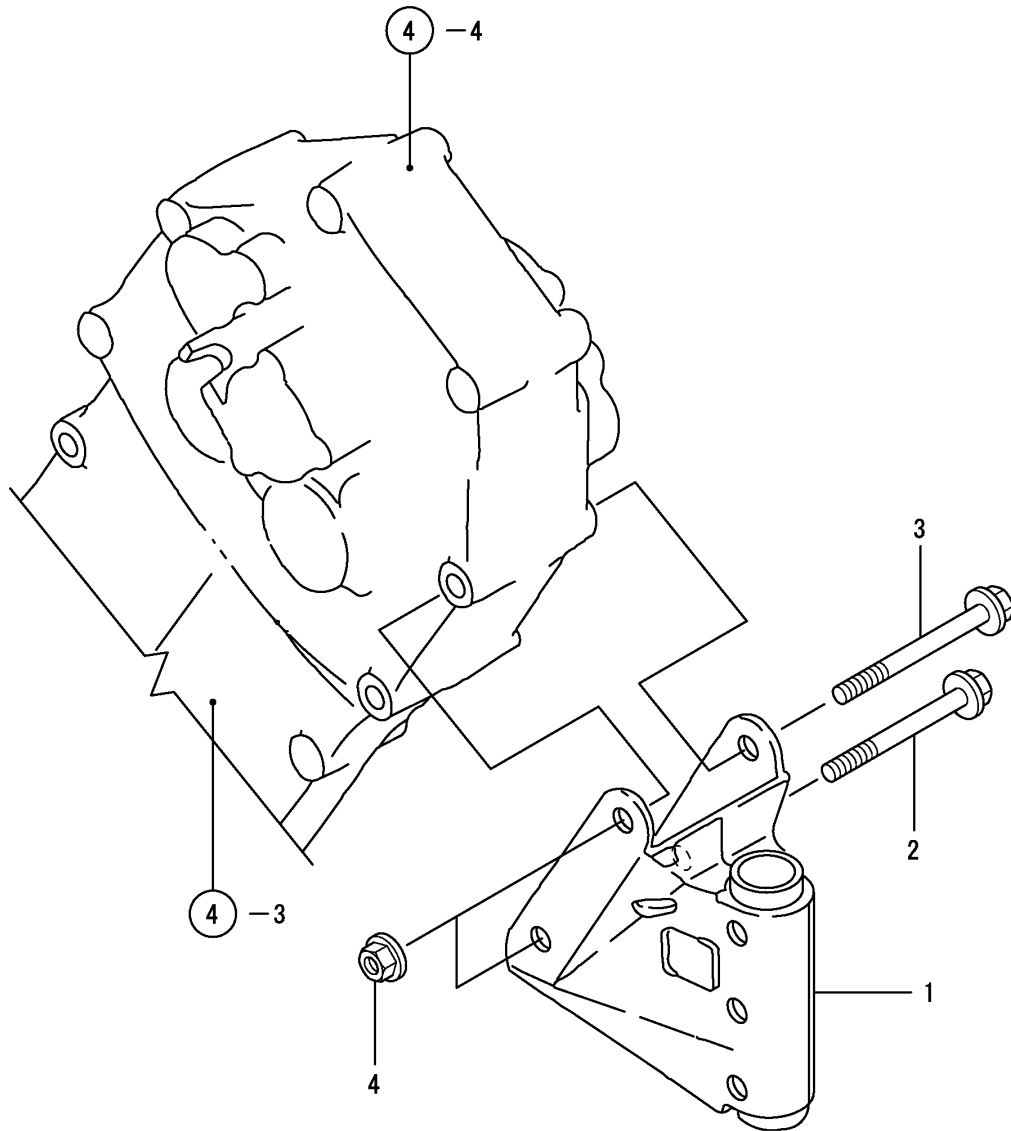
---

---

---

---

Fig.17. HITCH

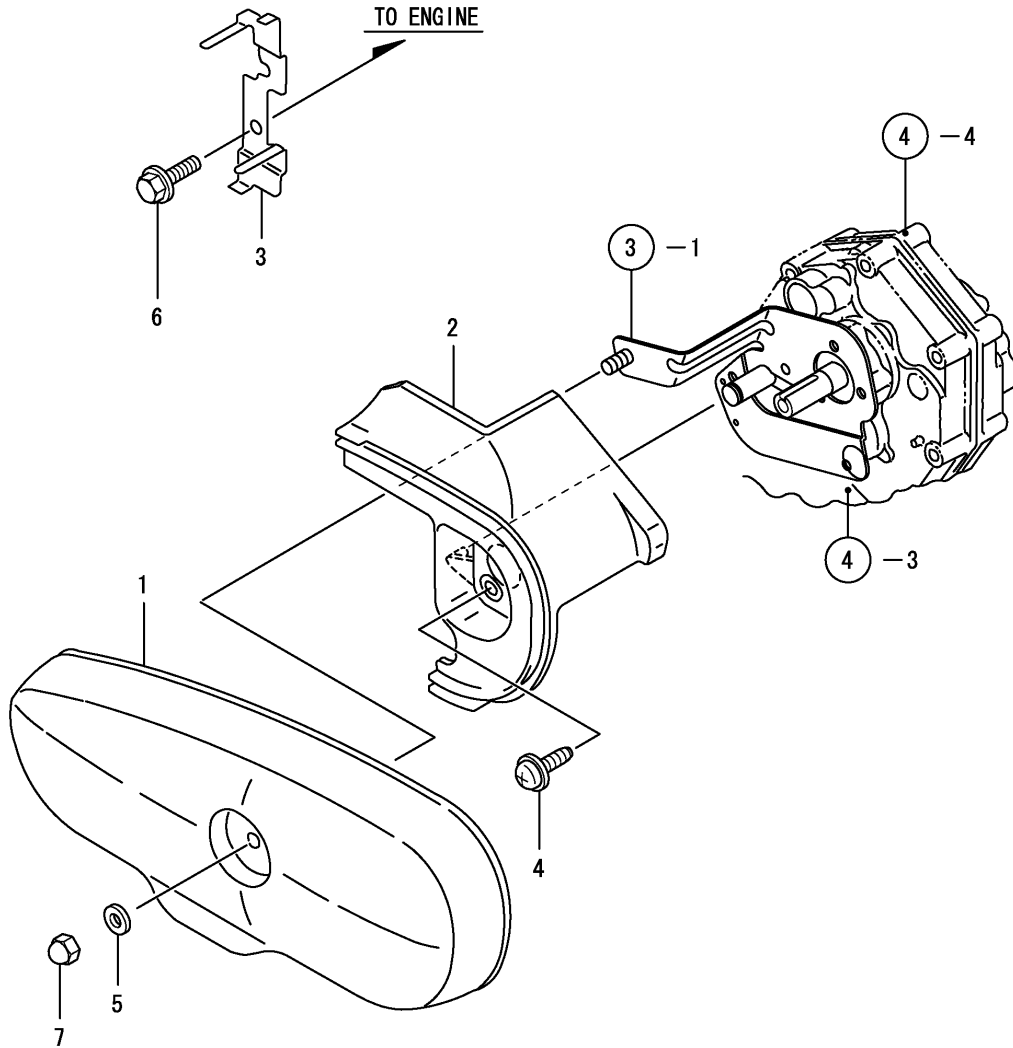


(A)=TE30DX  
(B)=  
(C)=

(D)=  
(E)=  
(F)=

No.	Lev.	Parts No.	Description	Q'ty						I	R
				(A)	(B)	(C)	(D)	(E)	(F)		
1	1	1A1750-60500	HITCH COMP	1							
2	1	26107-080702	BOLT, 8 X 70	1							
3	1	26107-080752	BOLT, 8 X 75	1							
4	1	26367-080002	NUT, M8	2							

Fig.18. BELT COVER

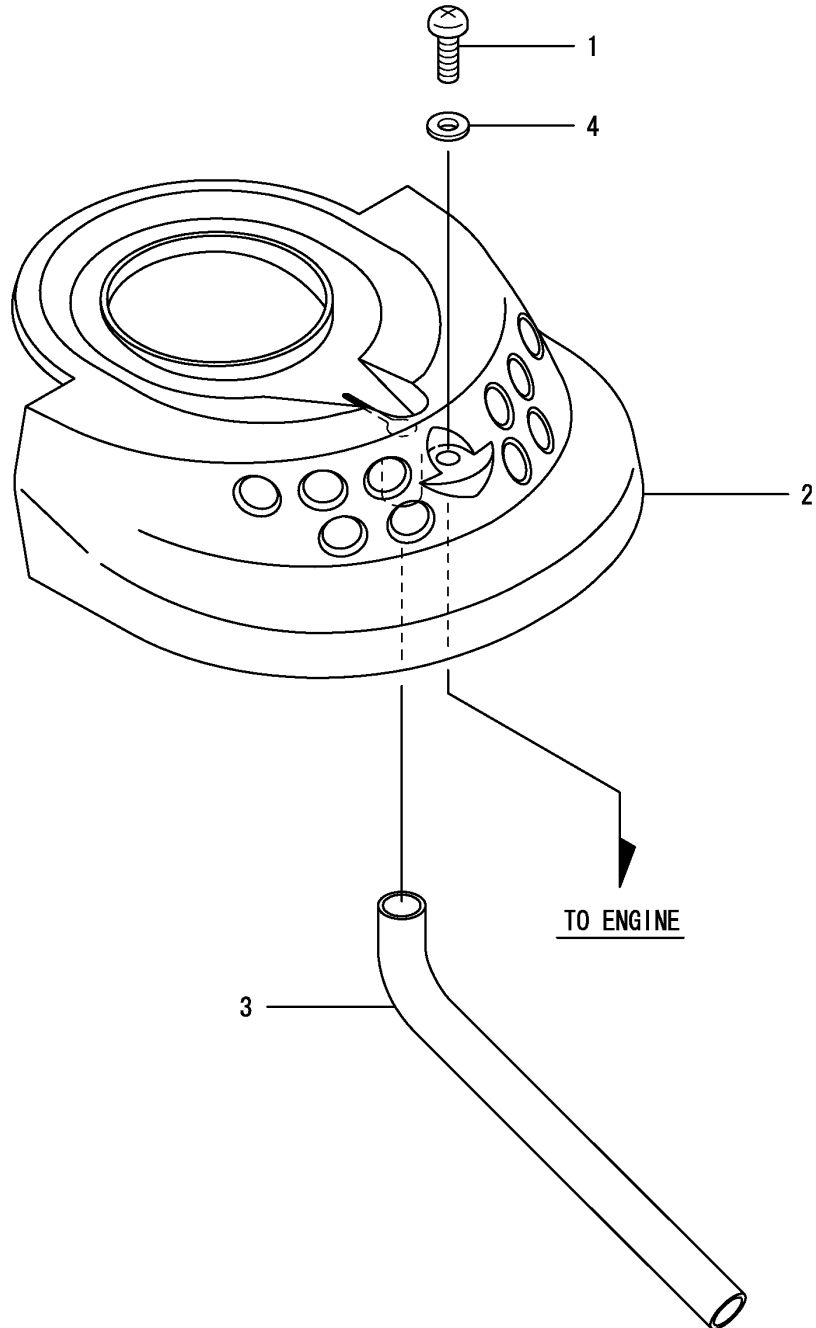


(A)=TE30DX  
(B)=  
(C)=

(D)=  
(E)=  
(F)=

No.	Lev.	Parts No.	Description	Q'ty						I	R
				(A)	(B)	(C)	(D)	(E)	(F)		
1	1	1A2190-62000	BELT COVER	1							
2	1	1A2190-62300	COVER, FLYWHEEL	1							
3	1	1A2190-62420	RETAINER	1							
4	1	1A1750-90200	SCREW 6X12,COLLAR HD	3							
5	1	22157-080000	WASHER, 8	1							
6	1	26107-080122	BOLT M 8X 12 PLATED	2							
6-1	1	26106-080122	BOLT M 8X 12 PLATED	2							N
		(A=FXXXXX)									
6-2	1	26014-080162	BOLT, M8X 16	2							R
		(A=FXXXXX)									
7	1	26657-080002	NUT, CAP M8	1							

Fig.19. BONNET

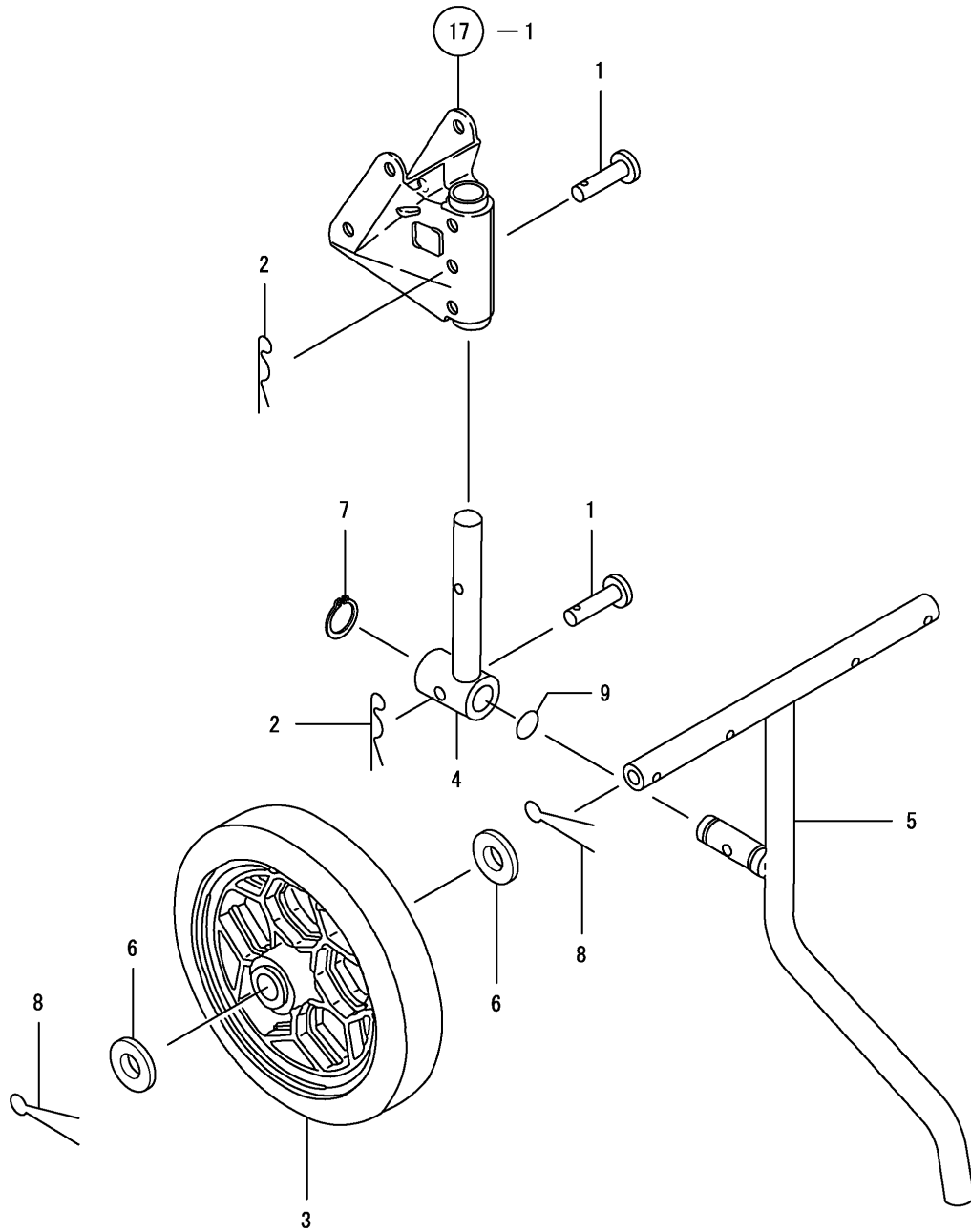


(A)=TE30DX  
(B)=  
(C)=

(D)=  
(E)=  
(F)=

No.	Lev.	Parts No.	Description	Q'ty						I	R
				(A)	(B)	(C)	(D)	(E)	(F)		
1	1	1A1735-55350 (A=FXXXXX)	SCREW 6X12,PAN HD.	1							Z
1-1	1	1A1686-52230 (A=FXXXXX)	SCREW, M6X16	1							W
2	1	1A2490-64000	REAR COVER	1							
3	1	1A2490-64100	BLOWING PIPE	1							
4	1	1A1750-90160 (A=FXXXXX)	WASHER 6, PLAIN	1							Z

Fig.20. SKID



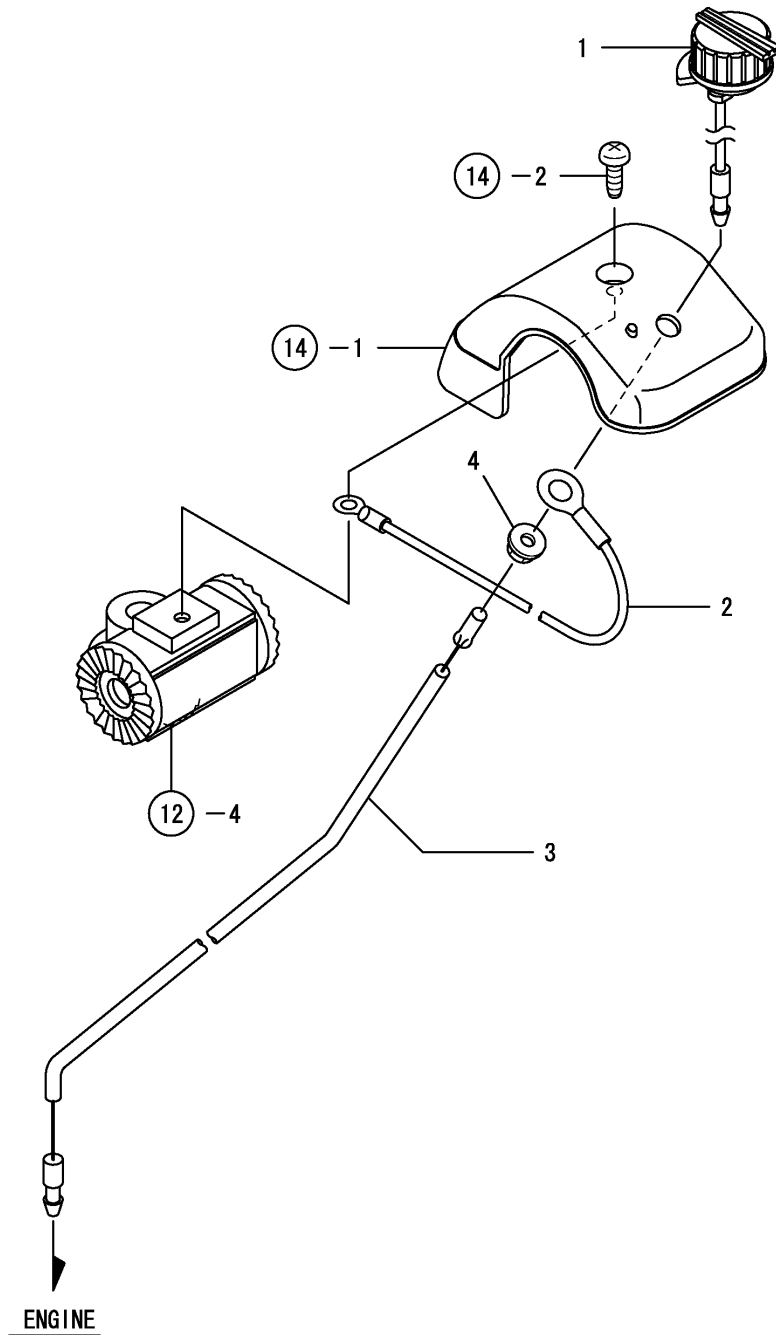
(A)=TE30DX  
(B)=  
(C)=

(D)=  
(E)=  
(F)=

No.	Lev.	Parts No.	Description	Q'ty						I	R
				(A)	(B)	(C)	(D)	(E)	(F)		
1	1	1A1540-46010	PIN 8X35,FLAT HEAD	2							
2	1	1C6141-47970	PIN, SNAP 8	2							
3	1	1A2170-72200	WHEEL 195,TAIL	2							
4	1	1A2190-75001	ROD ASSY, UPPER	1							
5	1	1A2190-75031	ROD ASSY, LOWER	1							
6	1	22137-160000	WASHER, 16	4							
7	1	22242-000200	RING, 20	1							
8	1	22417-300300	PIN, COTTER 3.0X30	4							
9	1	24341-000180	O-RING, 1AS18.0	1							



Fig.21. ELECTRICAL PARTS



(A)=TE30DX  
(B)=  
(C)=

(D)=  
(E)=  
(F)=

No.	Lev.	Parts No.	Description	Q'ty						I	R
				(A)	(B)	(C)	(D)	(E)	(F)		
1	1	1A1750-40800	SWITCH,STOP	1							
2	1	1A2190-83100	EARTH	1							
3	1	1A2490-83100	CORD, STOP SWITCH	1							
4	1	26367-080002	NUT, M8	1							

---

---

---

---

---

---

---

---

---

---

---

---

---

---

---

---

---

---

---

---

---

---

---

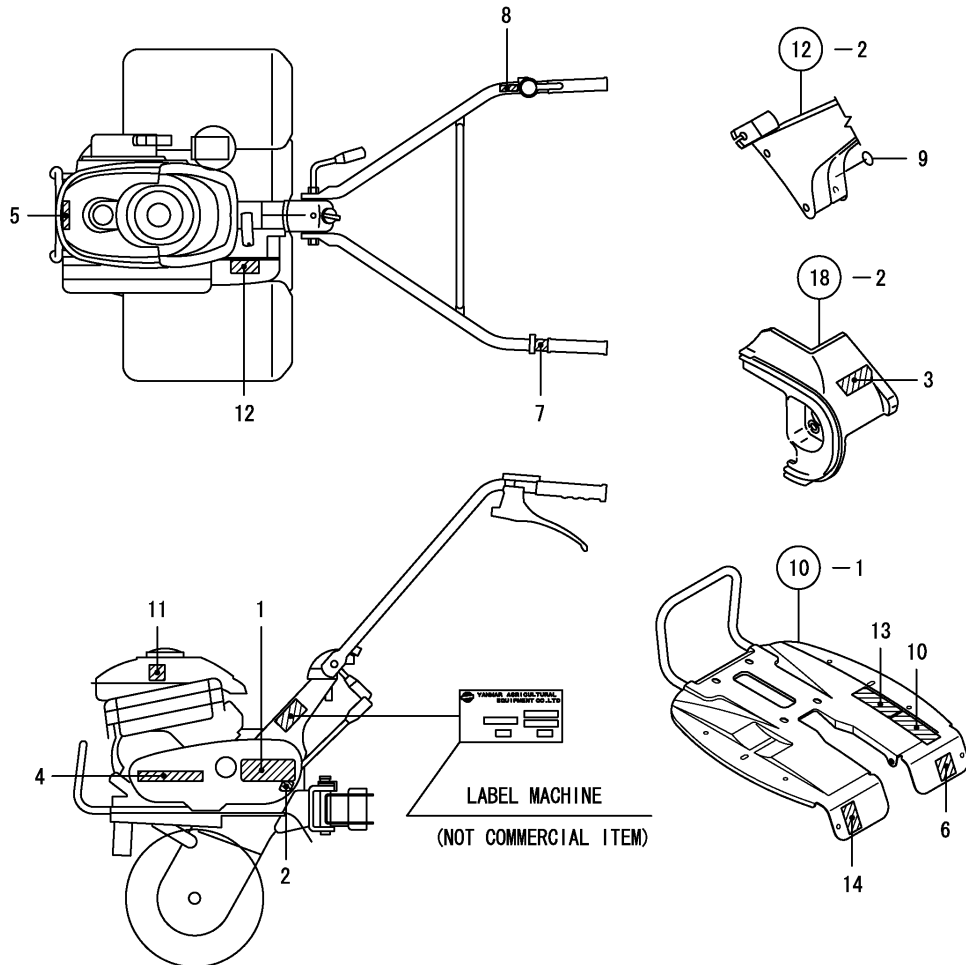
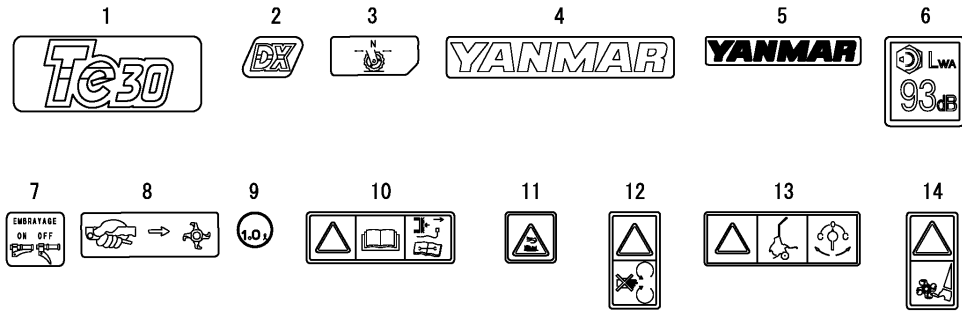
---

---

---

---

Fig.22. LABELS

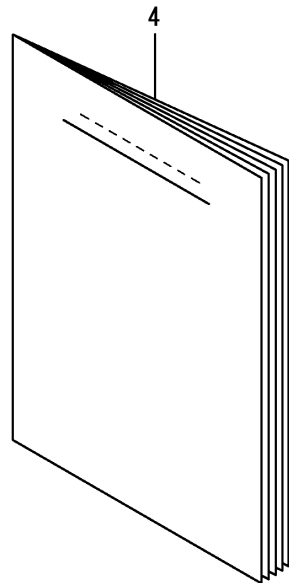
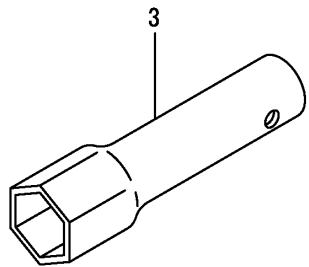
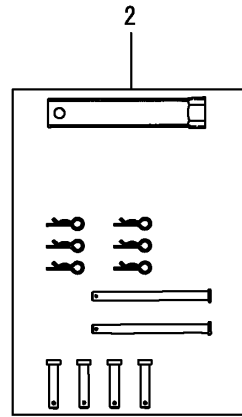
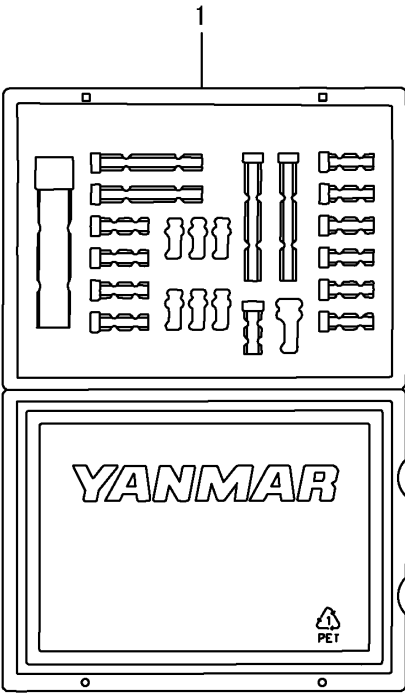


(A)=TE30DX  
(B)=  
(C)=

(D)=  
(E)=  
(F)=

No.	Lev.	Parts No.	Description	Q'ty						I	R
				(A)	(B)	(C)	(D)	(E)	(F)		
1	1	1A2552-86010	LABEL TE30	1							
2	1	1A2490-86030	LABEL DX	1							
3	1	1A2129-86070	LABEL,TRAVEL CHANGE	1							
4	1	1A2150-86080	LABEL,FRONT MASK	1							
5	1	1A2240-86180	LABEL,YANMAR	1							
6	1	1A2179-86210	LABEL, 93DB	1							
7	1	1A2099-86340	LABEL,MAIN CLUTCH	1							
8	1	1A2199-86420	MARK,GRIP TO BACK	1							
9	1	1A2138-86701	LABEL '1',OIL	1							
10	1	1A2199-86700	MARK,HANDLING CAUT'N	1							
11	1	1A2199-86720	MARK,HI-TEMP.CAUTION	1							
12	1	1A2199-86840	MARK,BELT CVR.CAUT'N	1							
13	1	1A2191-86900	MARK,COCK CAUTION	1							
14	1	1A2199-86900	MARK,ROTARY CAUTION	1							

Fig.23. TOOLS & ACCESSORIES



(A)=TE30DX  
(B)=  
(C)=

(D)=  
(E)=  
(F)=

No.	Lev.	Parts No.	Description	Q'ty						I	R
				(A)	(B)	(C)	(D)	(E)	(F)		
1	1	1A2490-87000	TRAY,TOOL	1							
2	1	1A2490-87040	GAUGE D	1							
3	1	160110-92700	WRENCH, 21 L140	1							
4	1	1A2550-88000	MANUAL,OPERATION	1							

## Parts No. Index

Parts No.	Fig. No.	Ref. No.
160110-92700	23	3
192040-56220	13	4
1A1104-28230	9	4
1A1470-20090	4	1
1A1540-28251	8	3
1A1540-46010	11	9
		21
	20	1
1A1540-46020	11	10
		22
1A1686-52230	19	1 -1
1A1735-23240	6	6
1A1735-55350	19	1
1A1750-20180	8	1
1A1750-20410	4	2
1A1750-21350	9	1
1A1750-40800	21	1
1A1750-41200	12	1
1A1750-51150	15	2
1A1750-60500	17	1
1A1750-90060	14	2
1A1750-90150	14	3
1A1750-90160	19	4
1A1750-90200	18	4
1A1760-30200	11	4
		16
1A2015-23550	6	7
1A2099-86340	22	7
1A2129-86070	22	3
1A2132-55610	15	14
1A2138-86701	22	9
1A2150-86080	22	4
1A2170-72200	20	3
1A2179-86210	22	6
1A2190-12100	2	1
1A2190-12110	2	2
1A2190-12151	2	3
1A2190-13300	2	8
1A2190-21020	4	3
1A2190-21030	4	4
1A2190-23020	5	1
1A2190-23030	5	2
1A2190-23040	5	3
1A2190-23050	5	4
1A2190-23100	6	1
1A2190-23110	6	2
1A2190-23141	6	3
1A2190-23150	6	4
1A2190-23160	6	5
1A2190-23350	7	1

Parts No.	Fig. No.	Ref. No.
1A2190-24000	8	2
1A2190-27101	9	3
1A2190-35001	11	1
1A2190-35051	11	13
1A2190-35101	11	5
		17
1A2190-35150	11	6
		18
1A2190-35200	11	7
		19
1A2190-35300	11	8
		20
1A2190-55400	15	4
1A2190-55421	15	5
1A2190-55460	15	6
1A2190-55471	15	7
1A2190-55600	15	12
1A2190-55870	15	17
1A2190-61100	16	1
1A2190-62000	18	1
1A2190-62300	18	2
1A2190-62420	18	3
1A2190-75001	20	4
1A2190-75031	20	5
1A2190-83100	21	2
1A2191-86900	22	13
1A2199-27000	9	2
1A2199-86420	22	8
1A2199-86700	22	10
1A2199-86720	22	11
1A2199-86840	22	12
1A2199-86900	22	14
1A2222-55930	15	19
1A2240-86180	22	5
1A2320-13100	3	2
1A2320-42060	8	4
1A2320-55600	15	13
1A2490-13000	3	1
1A2490-13100	3	3
1A2490-13400	3	4
1A2490-21300	4	5
1A2490-21350	4	6
1A2490-51200	12	2
1A2490-51250	12	3
1A2490-51300	12	4
1A2490-51400	14	1
1A2490-51800	13	1
1A2490-51850	13	3
1A2490-64000	19	2
1A2490-64100	19	3

Parts No.	Fig. No.	Ref. No.
1A2490-83100	21	3
1A2490-86030	22	2
1A2490-87000	23	1
1A2490-87040	23	2
1A2550-32000	10	1
1A2550-32100	10	2
1A2550-55101	15	3
1A2550-55520	15	8
1A2550-55560	15	10
1A2550-88000	23	4
1A2552-51800	13	2
1A2552-55580	15	9
1A2552-55590	15	11
1A2552-55650	15	15
1A2552-55860	15	16
1A2552-55880	15	18
1A2552-86010	22	1
1C6141-47970	20	2
1D1140-11420	15	1
1D1630-51050	2	4
		9
1E6150-56040	9	5
1E6570-65750	13	5
	15	21
1S0010-17150	11	2
		14
1S0010-17250	11	3
		15
1S6230-61670	15	20
22117-100000	12	5
22117-120000	15	22
22137-060000	15	23
22137-160000	20	6
22157-060000	2	5
		10
22157-080000	18	5
22217-060000	2	6
22217-100000	12	6
22242-000120	3	5
22242-000200	6	8
	20	7
22287-100000	13	6
22292-000170	5	5
22417-160120	15	24
22417-200120	15	25
22417-300300	20	8
22487-060240	15	26
22487-060260	15	27
22487-080200	15	28
22487-080300	15	29

Parts No.	Fig. No.	Ref. No.
24101-060024	5	6
24101-062014	6	9
	7	2
24101-062044	8	5
24190-100001	9	6
24341-000180	20	9
24421-152507	5	7
26014-080162	18	6 -2
26106-080122	18	6 -1
26107-060102	10	3
26107-060122	2	11
26107-080122	18	6
26107-080202	11	11
		23
26107-080252	4	7
26107-080302	16	2
26107-080352	1	1
26107-080452	4	8
26107-080502	16	3
26107-080602	12	7
26107-080652	4	9
26107-080702	16	4
	17	2
26107-080752	17	3
26117-060162	2	7
26157-101002	12	8
26367-060002	10	4
26367-080002	1	2
	4	10
	11	12
		24
	12	9
	16	5
	17	4
	21	4
26476-060142	9	7
26657-080002	18	7
26892-001000	15	30